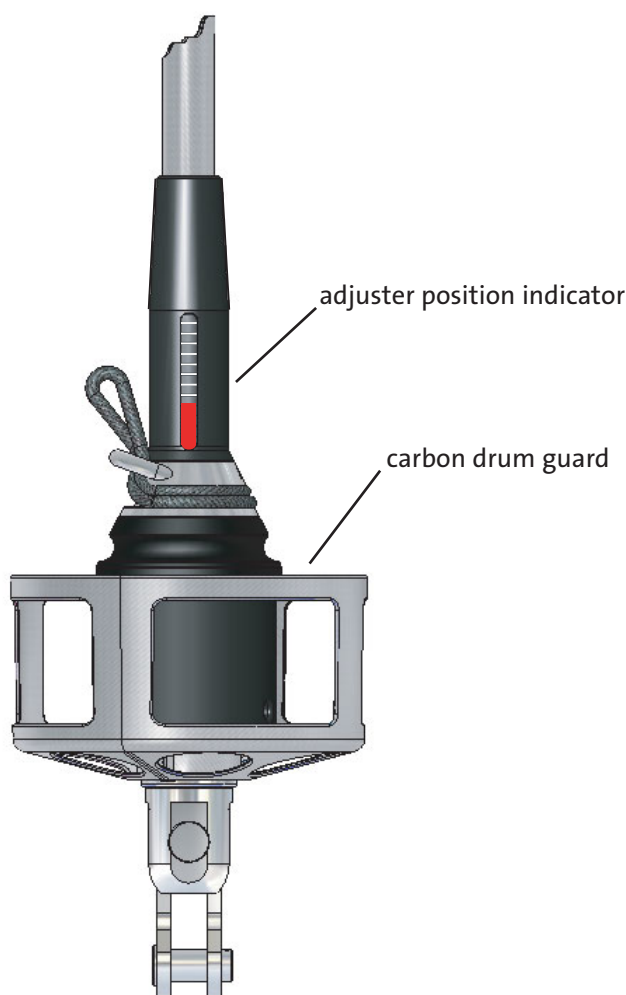


RS3000-S2

The Reckmann RS3000 is a high performance manual furling gear. The furler is equipped with a 60mm adjuster accessible from the top of the drum. Adjusting the forestay does not change the tack swivel height. The adjuster position can be checked in the stroke indicator window. The sail is tacked with dyneema loop shackles. The foil sections are made out of carbon to reduce the top weight . The RS3000 is standard on the Swan 42 NYYC boats.

NEW DESIGN!



adjuster from top accessible



light weight high performance aluminium halyard swivel

technical data

boat length:	30 - 45 ft
adjuster stroke:	60 mm
maximum Rod size:	-30
carbon foil size:	S2